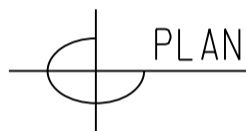
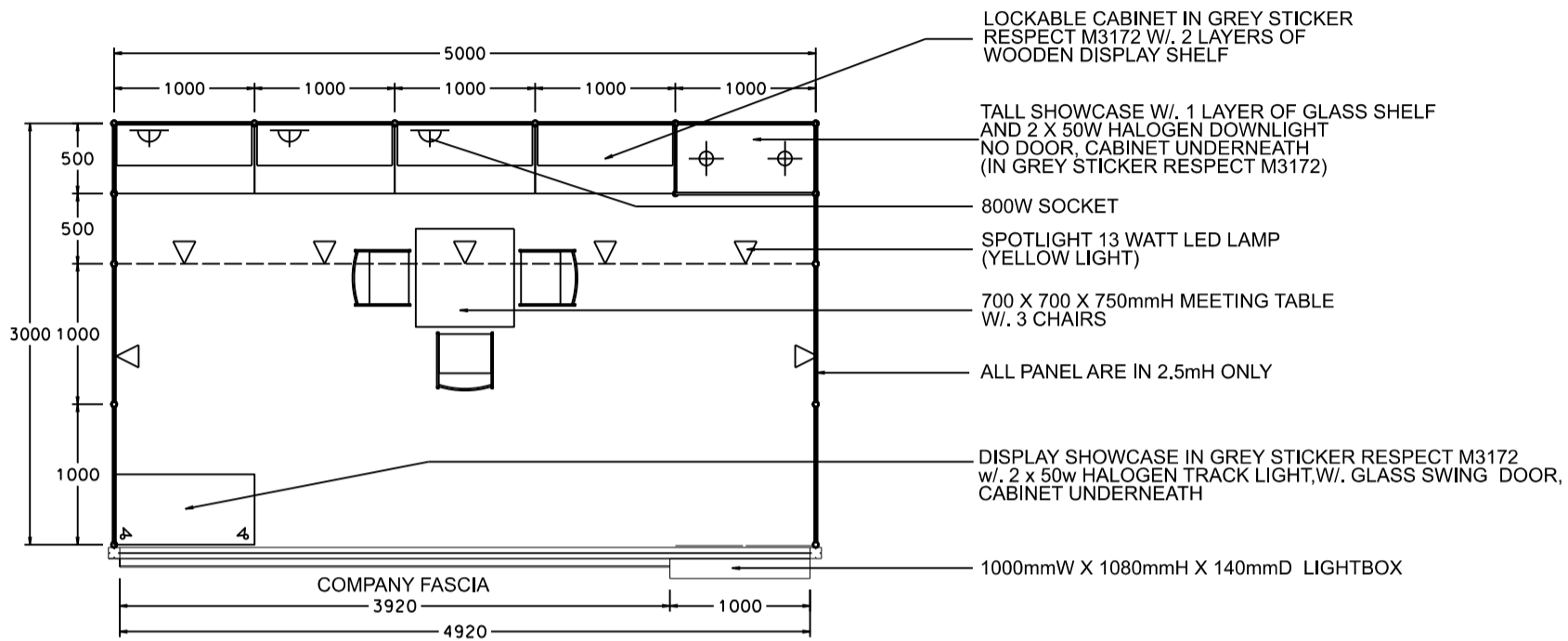


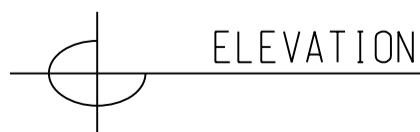
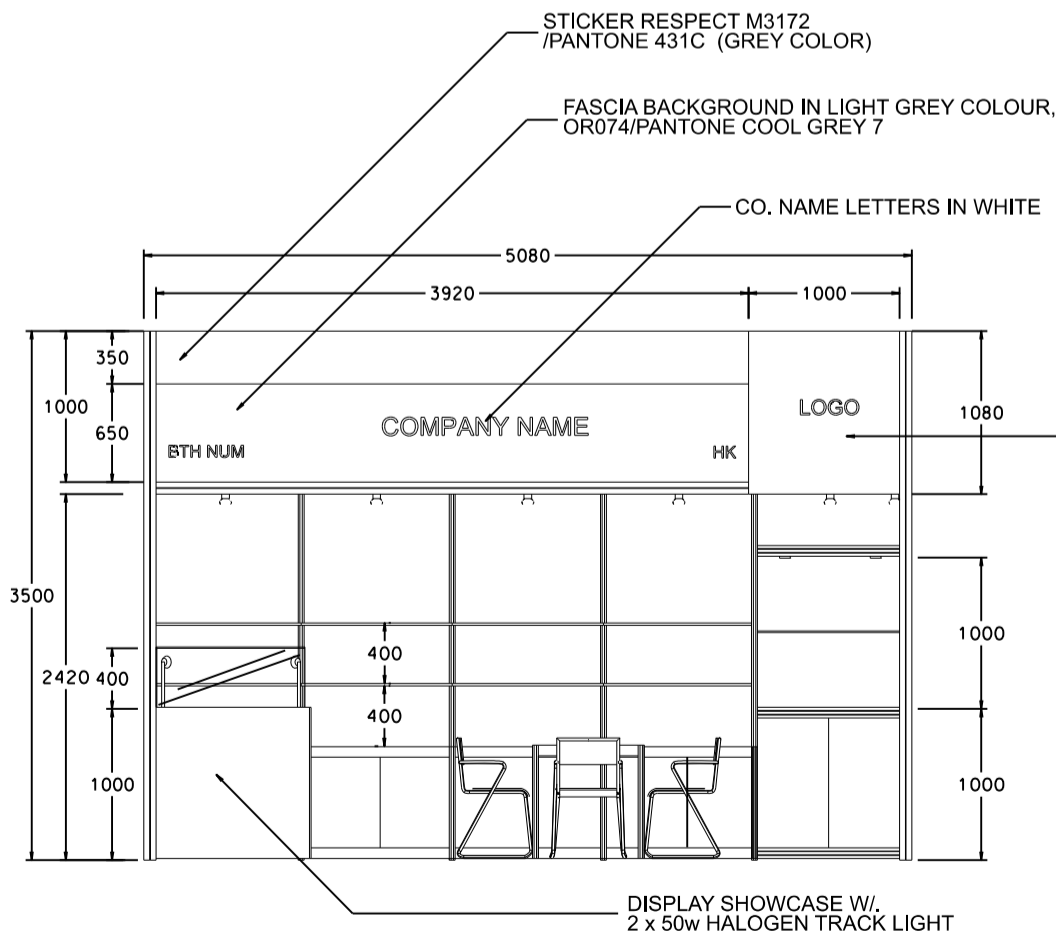
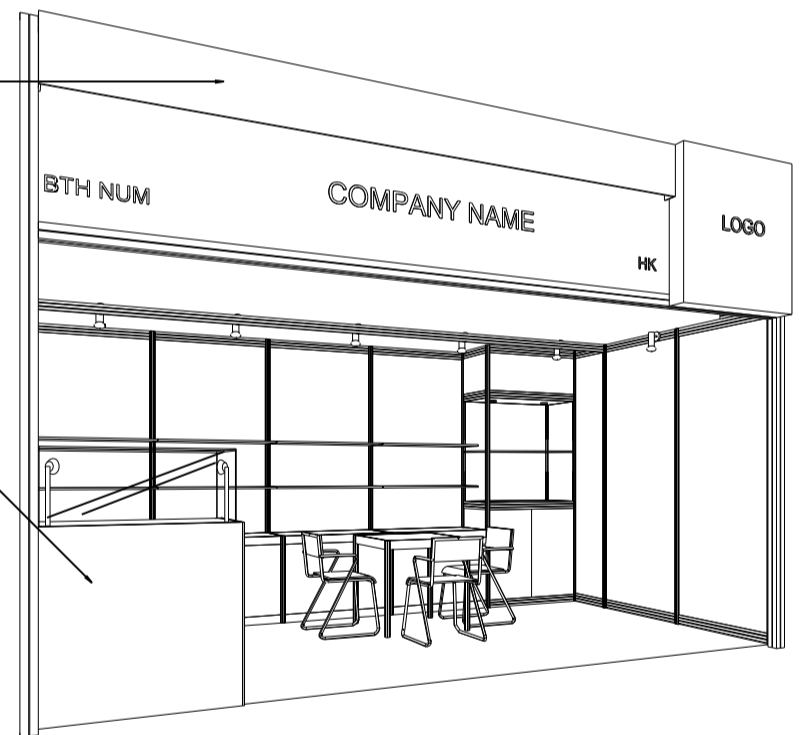
OPTION E (LOW SHOWCASE - GREY)

5M x 3M Hall of Fame Booth

五米乘三米品牌薈萃廊特級攤位



CONCEALED LIGHT TROUGH TO HIGHLIGHT COMPANY FASCIA (IN GREY COLOUR, RESPECT M3172 / PANTONE 431c)



BOOTH SPECIFICATIONS		QTY.
	LOCKABLE CABINET 1000W x 500D x 750H mm	4
	WOODEN DISPLAY SHELF FLAT (3000W X 300D mm)	2
	WOODEN DISPLAY SHELF FLAT (1000W X 300D mm)	2
	DISPLAY SHOWCASE W/ 2 X 50W HALOGEN TRACK LIGHT W/ GLASS SWING DOOR, CABINET UNDERNEATH	1
	TALL SHOWCASE W/ 1 LAYER OF GLASS SHELF AND 2 X 50W HALOGEN DOWNLIGHT (NO GLASS DOOR) CABINET UNDERNEATH	1
	800W SOCKET	3
	SPOTLIGHT 13 WATT LED LAMP (YELLOW LIGHT)	7
	700W x 700D x 750H mm MEETING TABLE	1
	BLACK LEATHER CHAIR	3
	CEILING BEAM	5M
	RUBBISH BIN & CARPET (15sqm.)	